

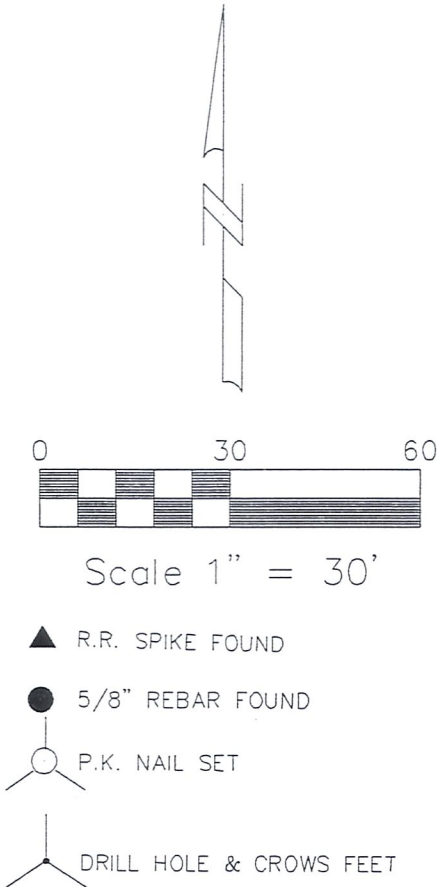
VILLAGE OF KILLBUCK
PART OF LOT 22
HOLMES COUNTY, OHIO

SURVEYED FOR: THE VILLAGE OF KILLBUCK

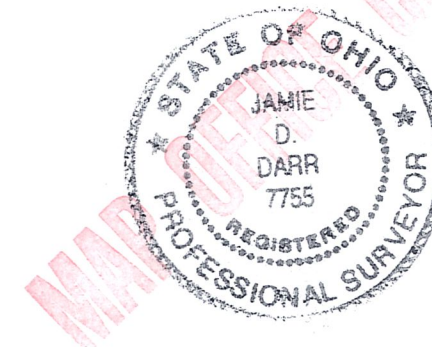
RECEIVED
MAY 01 2003
Hol. Co. Tax Map Office

REFERENCES:
DEED VOL. 152 PAGE 357
DEED VOL. 237 PAGE 661
O.R. VOL. 58 PAGE 527
O.R. VOL. 134 PAGE 661
PLAT VOL. 4 PAGE 202

BEARINGS ASSUMED



DONALD C. BAKER SURVEYING
138 N. CLAY ST.
MILLERSBURG, OHIO 44654
PH. 330-674-4788
FAX 330-674-6027



I CERTIFY THIS SURVEY TO BE CORRECT TO THE BEST OF MY KNOWLEDGE.

JAMIE D. DARR P.S. 7755

Date: APRIL 29, 2003 JDD\FCC

File Name: C:\JOBS1\S-290-03\ERZ
S-3 Data: S-289-03