

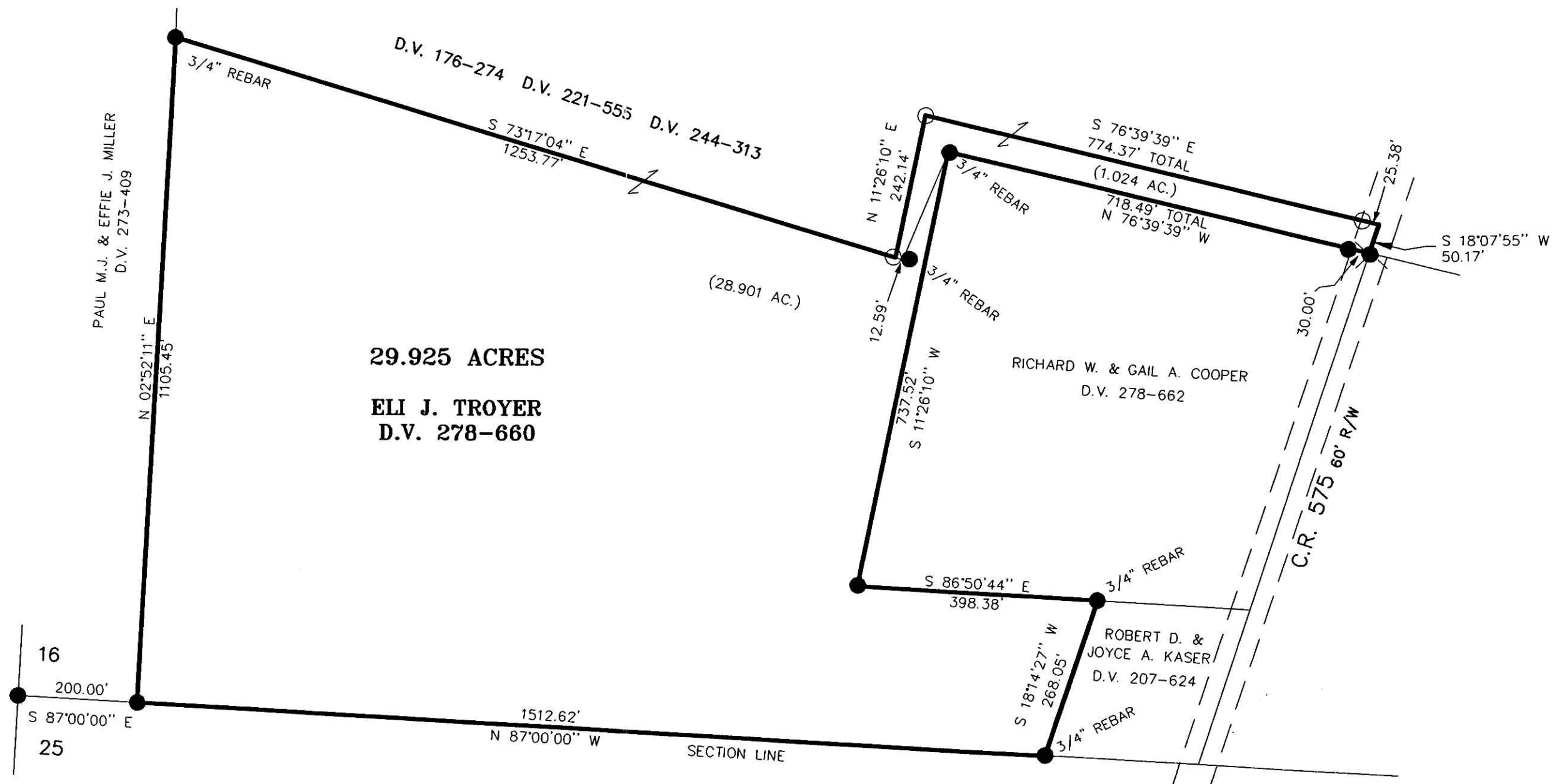
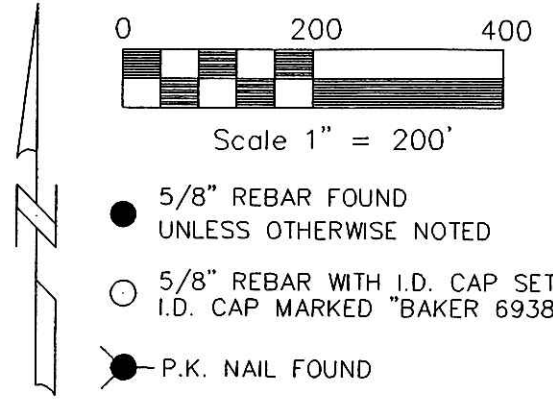
VOL 16 PAGE 593 INDEXED  
 200300022804  
 Filed for Record in  
 HOLMES COUNTY, OH  
 SALLY MILLER  
 04-24-2003 12:42 pm.  
 SMALL PLAT 20.00  
 OR Book 18 Page 593 - 593  
 CR vol 146 pg 481

**CLARK TOWNSHIP**  
**S.W. QTR. SECTION 16**  
**T-8 N; R-4 W**  
**HOLMES COUNTY, OHIO**

SURVEYED FOR: DAVID E. TROYER

200300022804  
 DOUGLAS FRAUTSCHY ATTORNEY  
 SUGARCREEK, OH 44681

REFERENCES:  
 DEED VOL. 278 PAGE 660  
 DEED VOL. 278 PAGE 662  
 DEED VOL. 244 PAGE 313  
 PLAT VOL. 16 PAGE 452  
 BEARINGS FROM PLAT VOL. 16 PAGE 452



I CERTIFY THIS SURVEY TO BE CORRECT TO THE BEST OF MY KNOWLEDGE.

*Jamie D. Darr*  
 JAMIE D. DARR P.S. 7755

FCC\JDD DATE: FEB. 24, 2003  
 File Name: C:\JOBS1\S-126-03

DONALD C. BAKER SURVEYING  
 138 N. CLAY ST.  
 MILLERSBURG, OHIO 44654  
 PH. 330-674-4788  
 FAX 330-674-6027

PLAT APPROVED

*4/16/2003*