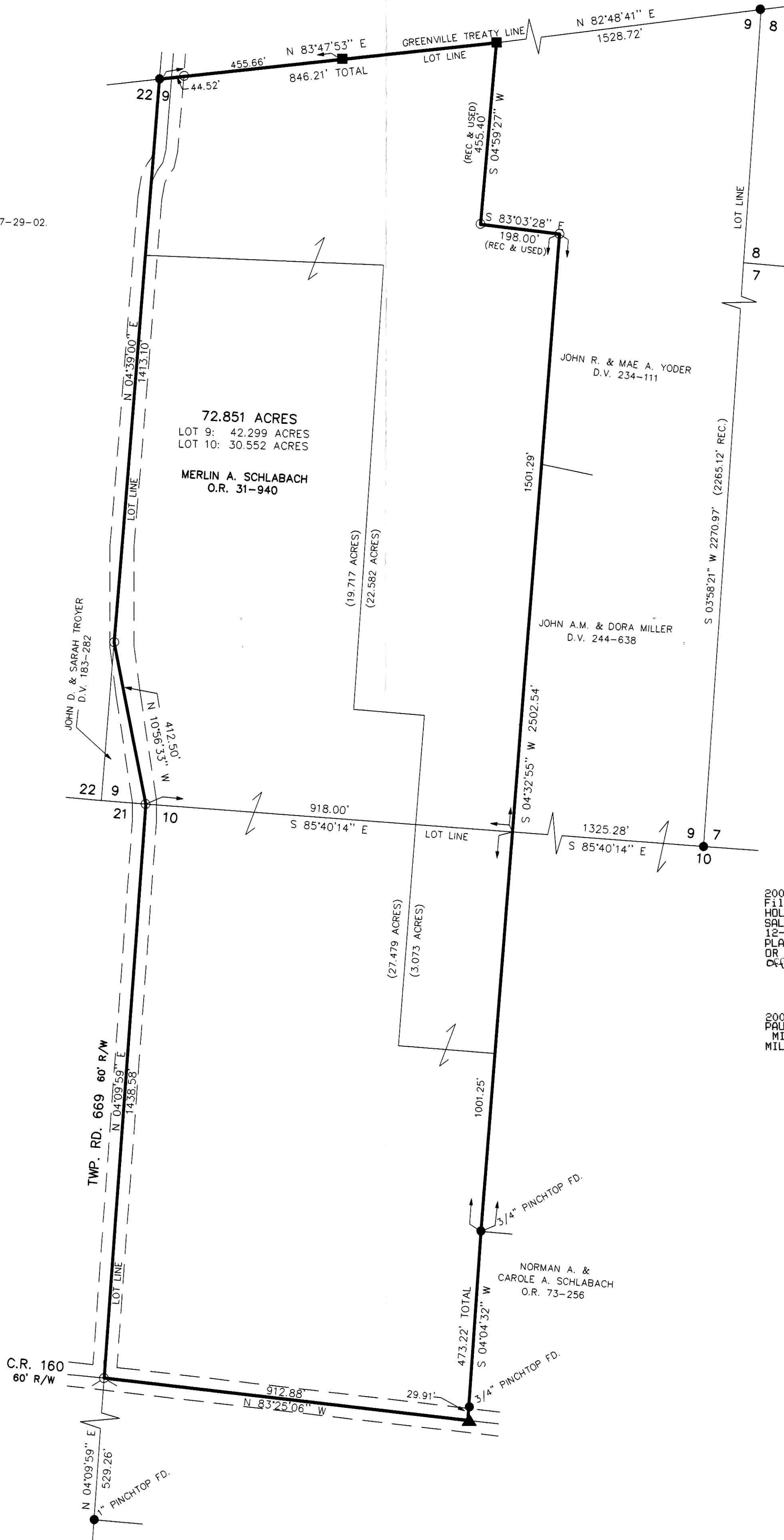
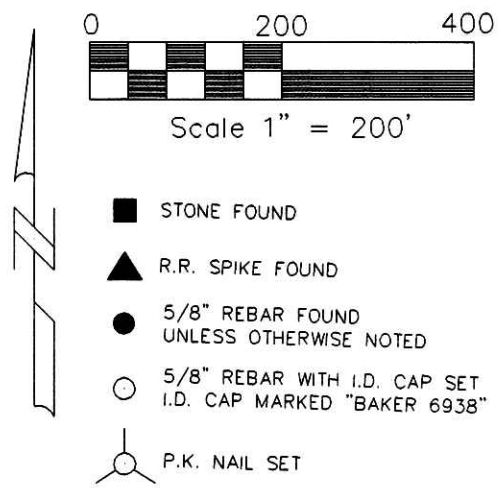


PAINT TOWNSHIP  
 4TH. QTR., LOTS 9 & 10  
 T-10 N; R-5 W  
 HOLMES COUNTY, OHIO  
 SURVEYED FOR: MERLIN SCHLABACH

REFERENCES:  
 DEED VOL. 183 PAGE 282  
 DEED VOL. 234 PAGE 111  
 DEED VOL. 244 PAGE 638  
 O.R. VOL. 31 PAGE 940  
 O.R. VOL. 73 PAGE 256  
 BEARINGS FROM SURVEY FOR JOHN A.M. &  
 DORA MILLER BY DONALD C. BAKER DATED 7-29-02.

VOL 18 PAGE 460



200200019821  
 Filed for Record in  
 HOLMES COUNTY, OH  
 SALLY MILLER  
 12-05-2002 02:09 pm.  
 PLAT MED 21.60  
 OR Book 18 Page 460 - 460  
 Off. Rec. 131 Page 96

200200019821  
 PAUL A  
 MILLER LAW  
 MILLERSBURG,

PLAT APPROVED  
 12/5/2002



I CERTIFY THIS SURVEY TO BE CORRECT  
 TO THE BEST OF MY KNOWLEDGE.  
*Donald C. Baker*  
 DONALD C. BAKER P.S. 6938  
 FDB/ FCC DATE OCT. 10, 2002  
 File name: C:\JOBS1\S-722-02\ERZ

DONALD C. BAKER SURVEYING  
 138 N. CLAY ST.  
 MILLERSBURG, OHIO 44654  
 PH. 330-674-4788  
 FAX 330-674-6027