

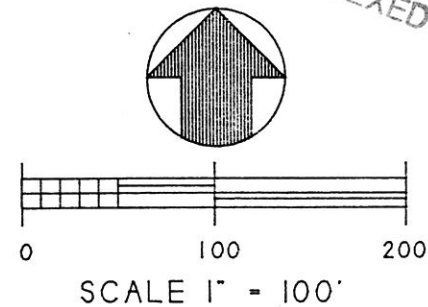
98017

TAX MAP S-10

BEARINGS ARE BASED ON THE SOUTH LINE OF LOT 7
BEARING N 88° 30' 00" W ACCORDING TO PLAT VOL. 16, PG. 192

VOL 16 PAGE 713

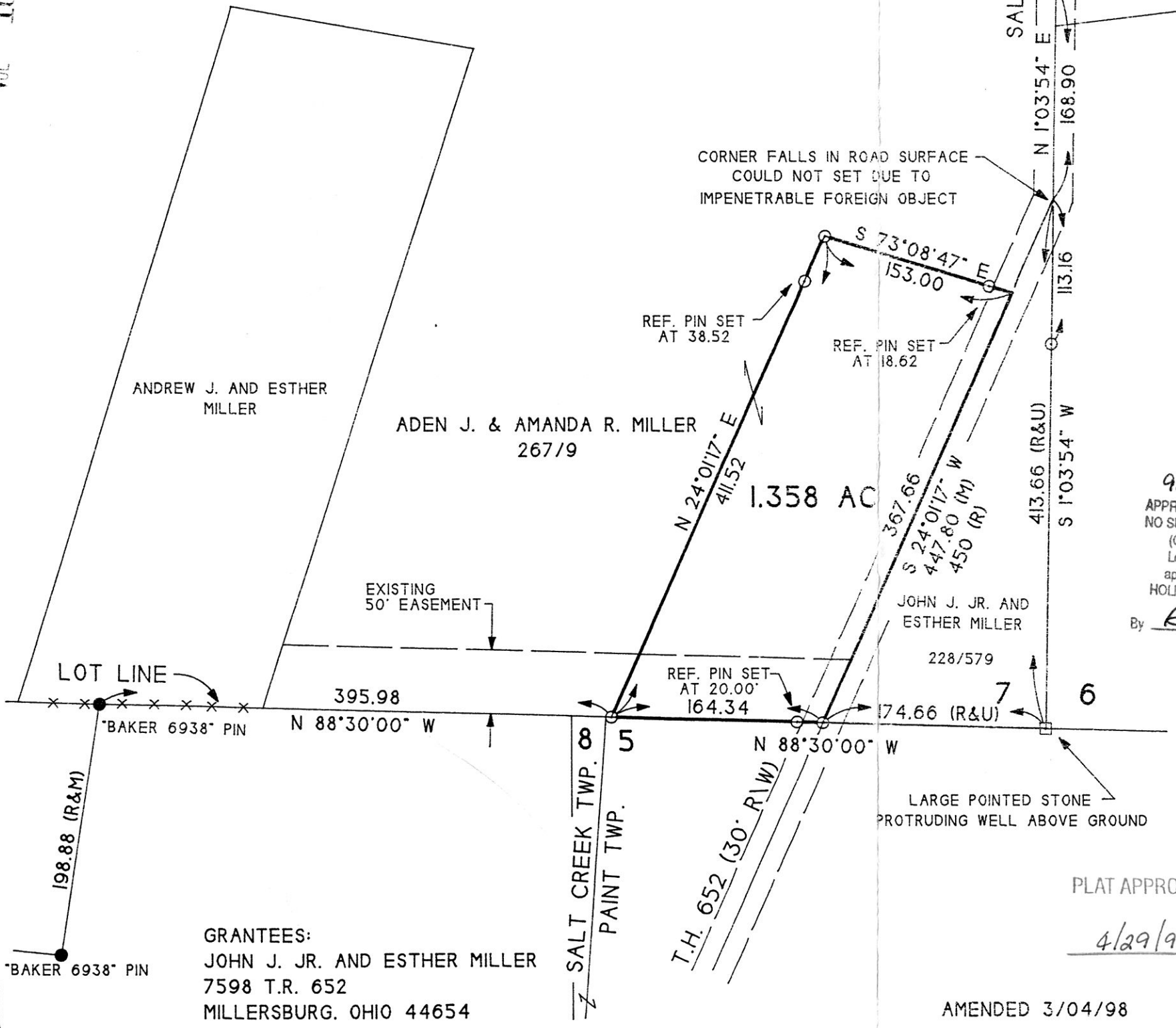
INDEXED



9800001990
 Filed for Record in
 HOLMES COUNTY, OH
 SALLY MILLER
 On 05-01-1998 At 12:02 pm.
 SMALL PLAT 20.00
 Book OR Vol. 16 Pg. 713 - 713
 OR vol 8 pg 229

- LEGEND
- - CAPPED PIN SET
5/8 INCH DIAM. SOLID STEEL
ROD WITH I.D. CAP MARKED
GASBARRE WOOSTER, OHIO
 - - PIPE OR PIN FOUND
 - ▲ - R.R. SPIKE FND.
 - (R) - RECORD
 - (M) - MEASURED
 - (U) - USED
- REFERENCE SURVEYS:
- P.V. 5 PG. 97
 - P.V. 7 PG. 685
 - P.V. 10 PG. 311
 - P.V. 10 PG. 469
 - P.V. 16 PG. 192

9800001990
 GARRETT ROACH ATTY
 MILLERSBURG,



980080
 APPROVED FOR TRANSFER ONLY
 NO SUBDIVISION PLAT REQUIRED
 (O.R.C. 711.001 & 711.131)
 Lot(s) not for building unless
 approved by Board of Health.
 HOLMES CO. PLANNING COMM.
 By AG Date 4/28/98

STATE OF OHIO
 WM. R. GASBARRE
 I BELIEVE THIS SURVEY TO BE CORRECT
 TO THE BEST OF MY KNOWLEDGE
 6529
William R. Gasbarre 2/27/98
 WILLIAM R. GASBARRE P.S. 6529 DATE

SURVEY OF 1.358 AC.
 SALT CREEK TOWNSHIP
 LOT 7, 3rd QTR., T-10N, R-5W
 U.S. MILITARY DISTRICT
 HOLMES COUNTY, OHIO

FEBRUARY 27, 1998

PLAT APPROVED
4/29/98

AMENDED 3/04/98

GRANTEES:
 JOHN J. JR. AND ESTHER MILLER
 7598 T.R. 652
 MILLERSBURG, OHIO 44654

R.W. GASBARRE & ASSOCIATES, INC.
 PROFESSIONAL LAND SURVEYORS
 P.O. BOX 44
 401 SOUTH MARKET ST. WOOSTER, OHIO 44691
 (330) 264-9499 FAX(330) 264-9162