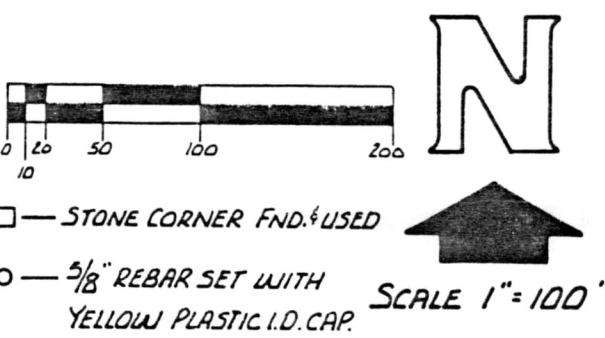


PART OF S.E. QTR. SEC. 24 PAINT TWP.
 WAYNE COUNTY
 AND
 PART OF N.E. QTR. SEC. 25 PAINT TWP.
 HOLMES COUNTY
 BOTH PARCELS LOCATED IN
 TWP. 15N : RANGE 11W ; OHIO



- — STONE CORNER FND. USED
- — 5/8" REBAR SET WITH YELLOW PLASTIC I.D. CAP.

REFERENCES:

- WAYNE CO. SURV. VOL. "EE" PG. 243
- " " " VOL. "Q" PG. 419
- STARK CO. COURT RECORD VOL. M2 PG. 9 & 10
- S.H. 414 PLANS PAGE 7 OF 7 - MT. EATON PART SEC. D WAYNE CO.

SURVEYED AT REQUEST OF:

THE EAST OHIO GAS COMPANY
 GAS SUPPLY ENGINEERING
 P.O. BOX 5759
 CLEVELAND, OHIO 44101



REVIEWED THIS 11 DAY OF December 19 85
 BY THE WAYNE CO. HEALTH DEPT.

BY: James L. Burkhardt

APPROVED THIS 11th DAY OF December 19 85
 BY THE WAYNE CO. PLANNING DEPT.

BY: Robert L. Murray

Rec'd. MAR 3 1986 AT 11:52 O'CLOCK AM
 Recorded March 3, 1986 Holmes Co. Ohio Fee, 5.00
 Plot Vol. 10 Pg. 536 Recorder Richard W. Murray
 Deed Vol. 230-Pg. 438 303.53'

I CERTIFY THIS PLAT TO BE CORRECT TO
 THE BEST OF MY KNOWLEDGE.

Ray W. Gasbarre
 RAY W. GASBARRE P.S. 4153
 R.W. GASBARRE & ASSOC. INC.
 P.O. BOX 44
 WOODSTER, OHIO 44691

(COMPLETED 12-9-85)

MAP OFFICE COPY