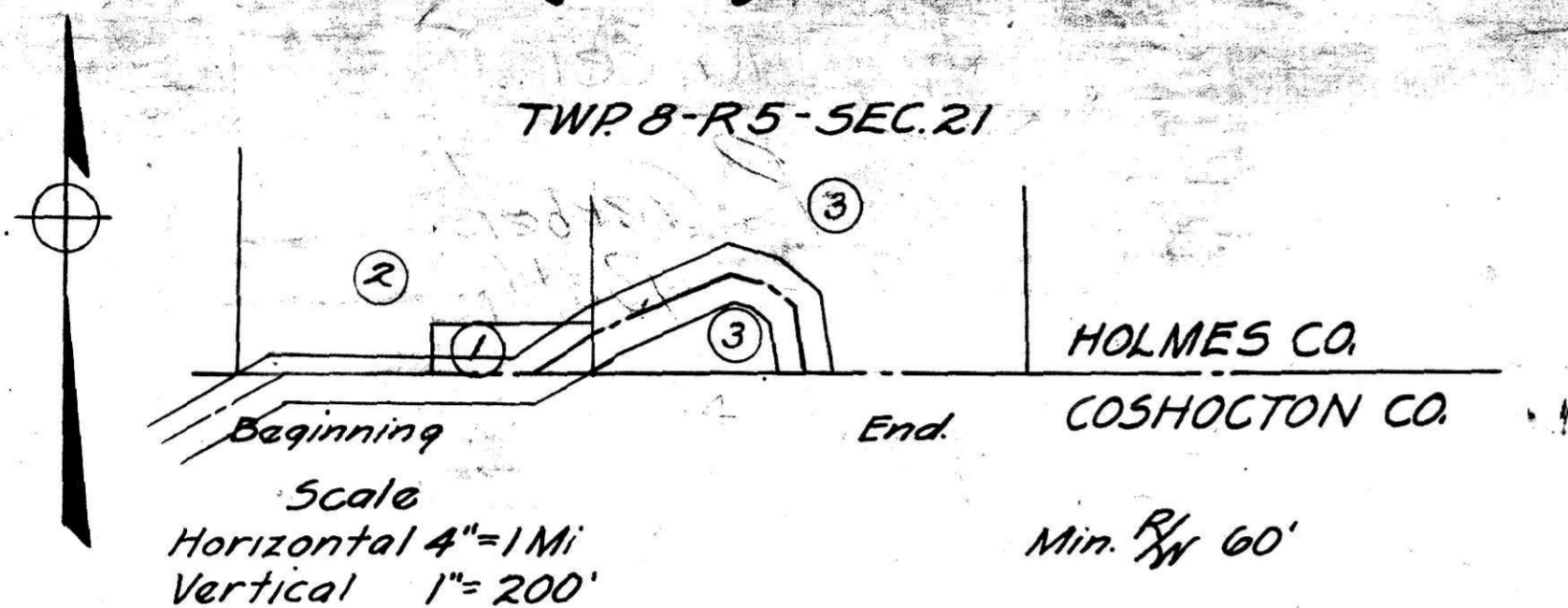


DEDICATION PLAT OF  
NEW BEDFORD - BAL TIC ROAD  
S.H. (I.C.H.) 960



We the undersigned owners of the above described property, dedicate the same to public use for road and other public purposes consistent therewith clear of all obstructions which interfere with the improvement and/or maintenance of the highway at the time of improvement.

Parcel No.	Owners	Witnesses	Parcel No.	Owners	Witnesses
1	<i>[Signature]</i>	<i>[Signature]</i>	3	<i>[Signature]</i>	<i>[Signature]</i>
1	<i>[Signature]</i>	<i>[Signature]</i>	3	<i>[Signature]</i>	<i>[Signature]</i>
2	O. B. Burger vs.	<i>[Signature]</i>			
2	Emma Burger	<i>[Signature]</i>			

County of Holmes  
State of Ohio

On this 5 day of April before me a Clerk of Courts in and for said County and State personally appeared Lester Knerr and Clara C. Knerr

who acknowledged the signing of this plat to be their voluntary act and deed for the purpose hereon mentioned. Witness my hand this 5 day of April, 1938

*[Signature]*  
CLERK OF COURTS  
My commission expires Jan. 1, 1941

County of Holmes  
State of Ohio

On this 29 day of June 1937 before me a Clerk of Courts in and for said County and State personally appeared D. S. Damer and Sevilla Damer husband and wife and O. B. Burger and Emma Burger, husband and wife, who acknowledged the signing of this plat to be their voluntary act and deed for the purposes hereon mentioned. Witness my hand this 29th day of June 1937

*[Signature]*  
Clerk of Court  
My term expires Jan. 1, 1941

OFFICE OF COUNTY COMMISSIONERS  
HOLMES COUNTY, OHIO

This plat has been approved and accepted by us this 29 day of June, 1937

*[Signature]*  
BOARD OF COUNTY COMMISSIONERS

ATTEST - *[Signature]*  
COUNTY AUDITOR

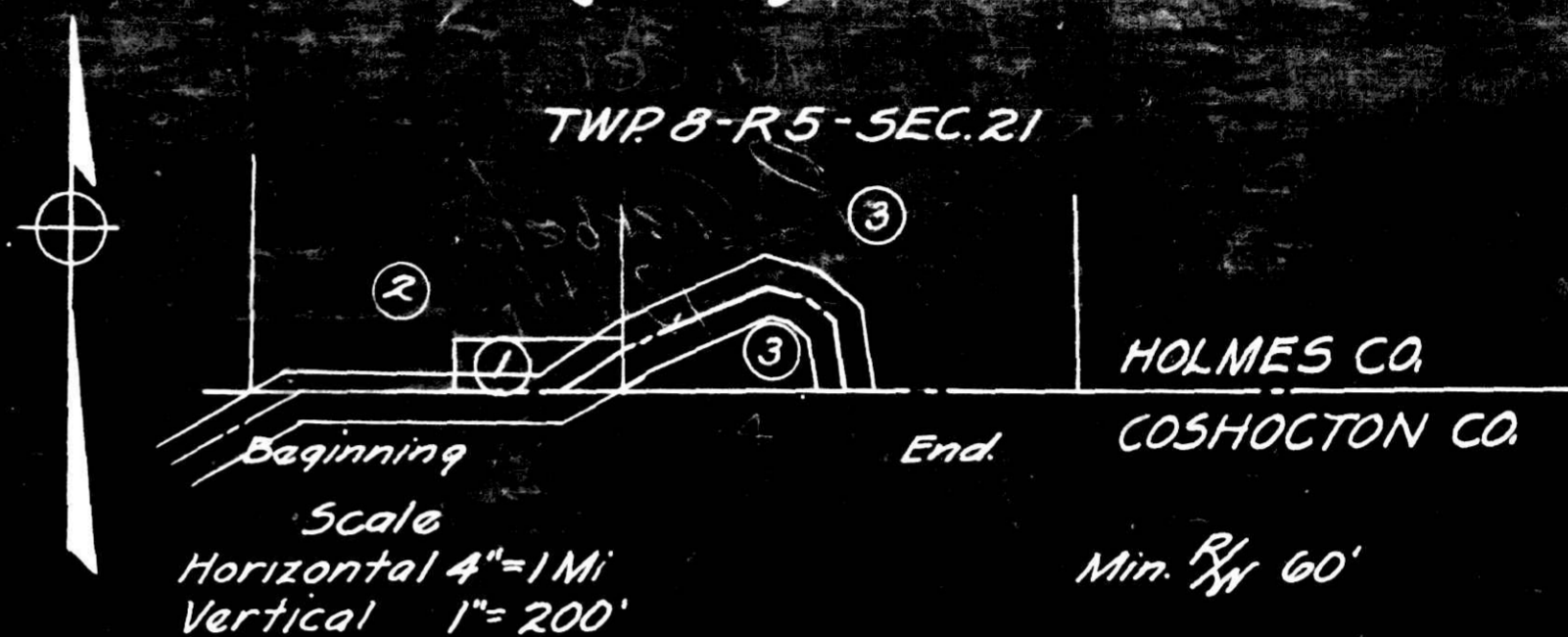
Approved and accepted by me  
this 29 day of June, 1937

*[Signature]*  
COUNTY ENGINEER

RECORDING DATA  
Recorded in Plat Book Vol. 2 Page 12  
of County Plat Records. Date APRIL 29 1938

*[Signature]*  
COUNTY RECORDER

DEDICATION PLAT OF  
NEW BEDFORD - BAL TIC ROAD  
S.H. (I.C.H.) 960



We the undersigned owners of the above described property, dedicate the same to public use for road and other public purposes consistent therewith clear of all obstructions which interfere with the improvement and/or maintenance of the highway at the time of improvement.

Parcel No.	Owners	Witnesses	Parcel No.	Owners	Witnesses
1	<i>[Signature]</i>	<i>[Signature]</i>	3	<i>[Signature]</i>	<i>[Signature]</i>
1	<i>[Signature]</i>	<i>[Signature]</i>	3	<i>[Signature]</i>	<i>[Signature]</i>
2	O. B. Burger vs.	<i>[Signature]</i>			
2	Emma Burger	<i>[Signature]</i>			

County of Holmes  
State of Ohio

On this 5 day of April before me a Clerk of Courts in and for said County and State personally appeared Lester Knerr and Clara C. Knerr

who acknowledged the signing of this plat to be their voluntary act and deed for the purpose hereon mentioned. Witness my hand this 5 day of April, 1938

*[Signature]*  
CLERK OF COURTS  
My commission expires Jan. 1, 1941

County of Holmes  
State of Ohio

On this 29 day of June 1937 before me a Clerk of Courts in and for said County and State personally appeared D. S. Damer and Sevilla Damer husband and wife and O. B. Burger and Emma Burger, husband and wife, who acknowledged the signing of this plat to be their voluntary act and deed for the purposes hereon mentioned. Witness my hand this 29th day of June 1937

*[Signature]*  
Clerk of Court  
My term expires Jan. 1, 1941

OFFICE OF COUNTY COMMISSIONERS  
HOLMES COUNTY, OHIO

This plat has been approved and accepted by us this 29 day of June, 1937

*[Signature]*  
BOARD OF COUNTY COMMISSIONERS

ATTEST - *[Signature]*  
COUNTY AUDITOR

Approved and accepted by me  
this 29 day of June, 1937

*[Signature]*  
COUNTY ENGINEER

RECORDING DATA  
Recorded in Plat Book Vol. 2 Page 12  
of County Plat Records. Date APRIL 29 1938

*[Signature]*  
COUNTY RECORDER